



PERFORMANCE DATA SHEET

Meets or exceeds MEPS, as described by the US DOE in docket 10CFR431 and NRCAN's Amendment 14

Catalogue #: **MQSP-154RBNV**

| HP | kW | Voltage | S.F. @ 60Hz | Efficiency | Power Factor | Frame | Design | L.R. Amps |
|-----|------|-----------|-------------|------------|--------------|-------|--------|-----------|
| 1,5 | 1,12 | 230 / 460 | 1,15 | 86,5% | 0,740 | 56C | B | 20 |

| 60 Hz | | | | | | | | |
|-------|-----|-----|-----|-----|-----|-----|------|----------|
| FLA | | | | | | | Code | F.L. RPM |
| 208 | 230 | 416 | 460 | 480 | 575 | 600 | | |
| / | 4,4 | / | 2,2 | / | / | / | | |

| 50 Hz | | | | | | | | |
|-------|-----|-----|-------------|------------|--------------|------|----------|------|
| FLA | | | S.F. @ 50Hz | Efficiency | Power Factor | Code | F.L. RPM | |
| 190 | 380 | 415 | | | | | | 1,00 |
| 5,0 | 2,5 | / | | | | | | |

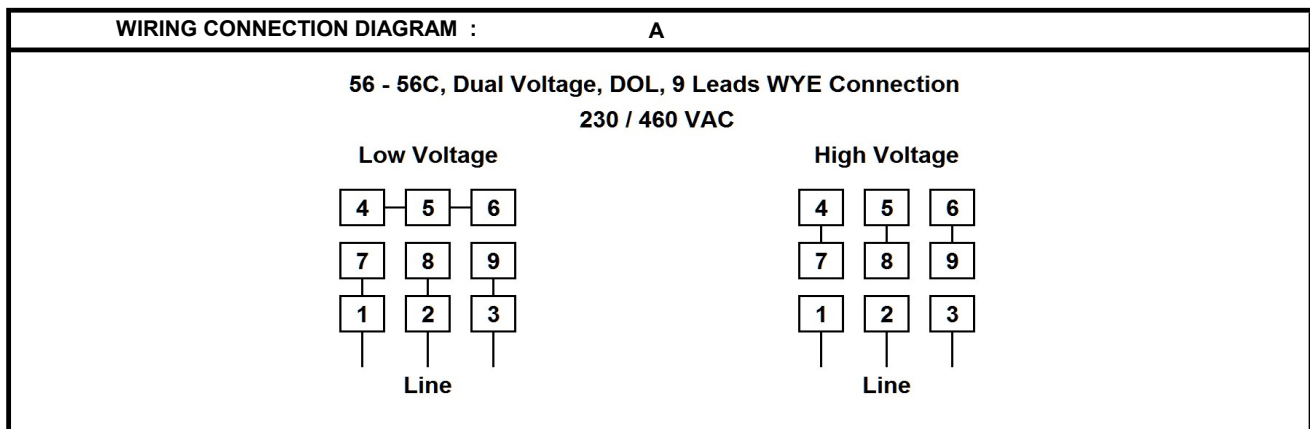
| Wgt. Lbs | PH | Duty | Insul. Class | Amb. | Elevation | Temp. Rise° C |
|----------|----|-------|--------------|------|-----------------|---------------|
| 36 | 3 | Cont. | F | 40°C | 1000M (3300 Ft) | 49,82 |

| % Efficiency | | % Power Factor | | Torque | | Winding Resist. Ω | Safe Cold Start (Secs) |
|--------------|-------|----------------|------|------------------|-----|-------------------|------------------------|
| Full Load: | 86,5% | Full Load: | 0,74 | Full Load Ft/Lbs | 4,5 | | |
| 3/4 Load: | 79,9% | 3/4 Load: | 0,67 | Locked Rotor % | 250 | | |
| 1/2 Load: | 65,2% | 1/2 Load: | 0,59 | Break Down % | 330 | | |

| Rotor Inertia Wk2 Lb-Ft2 | Max Load Inertia Wk2 Lb-Ft2 | Shaft Material | Frame Material | DE Bracket Type | ODE Bracket Type | Enclosure | NEMA Rating | Lead Wire Size |
|--------------------------|-----------------------------|----------------|-----------------|-----------------|------------------|-----------|-------------|----------------|
| / | / | 304SS | Stainless Steel | | | TENV | IP69K | 16AWG |

| Ball Bearings | | Grease | Mount Type | Orientation | Paint | Sound Pressure @ 3FT | Sound Power |
|---------------|------|-----------------|------------|-------------|-------|----------------------|-------------|
| DE | ODE | | | | | | |
| 6205 | 6205 | Sealed Bearings | Footless | Horizontal | - | / | / |

| Inverter Duty. Motor meets MG1 parts 31.4.4.2 | Constant Torque Range | Variable Torque Range | Constant HP RPM |
|--|-----------------------|-----------------------|-----------------|
| | | 10:1 | 20:1 |



Date: 2024-01-26
 Customer: _____
 Contact: _____
 Submittee: J.C. Lavallée

Catalogue #: **MQSP-154RBNV**

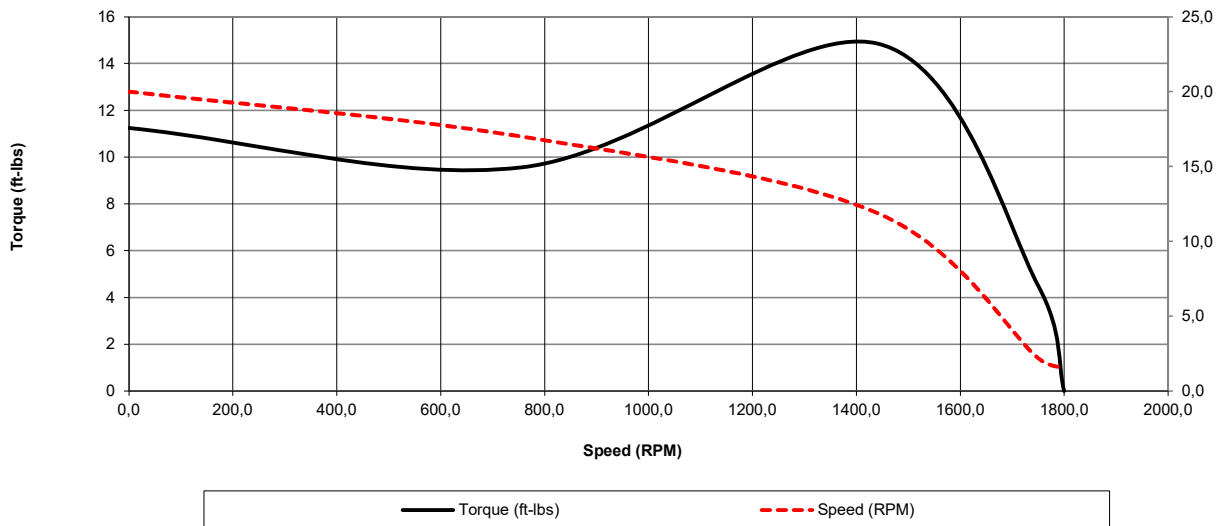
Meets or exceeds MEPS, as described by the US DOE in docket 10CFR431 and NRCan's Amendment 14

| HP | VAC | RPM | Enclosure | Frame | Frequency | Design | Poles | LR Code Letter | Insulation Class | Temp. Rise °C |
|-----|-----|------|-----------|-------|-----------|--------|-------|----------------|------------------|---------------|
| 1,5 | 460 | 1750 | TENV | 56C | 60 | B | 4 | K | F | 49,82 |

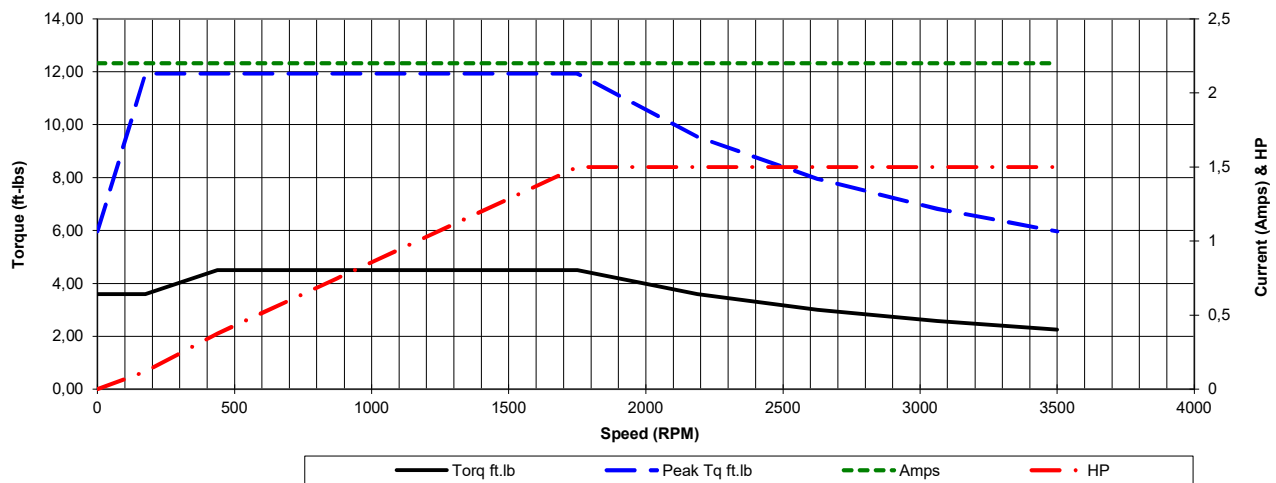
| | 0Hz | 6Hz | 15Hz | 30Hz | 45Hz | 60Hz | 75Hz | 90Hz | 105Hz | 120Hz |
|---------------|------|-------|-------|-------|--------|-------|--------|------|--------|-------|
| Amps | 2,2 | 2,2 | 2,2 | 2,2 | 2,2 | 2,2 | 2,2 | 2,2 | 2,2 | 2,2 |
| RPM | 0 | 175 | 437,5 | 875 | 1312,5 | 1750 | 2187,5 | 2625 | 3062,5 | 3500 |
| Torq ft.lb | 3,60 | 3,60 | 4,50 | 4,50 | 4,50 | 4,50 | 3,60 | 3,00 | 2,57 | 2,25 |
| Peak Tq ft.lb | 5,96 | 11,93 | 11,93 | 11,93 | 11,93 | 11,93 | 9,54 | 7,95 | 6,82 | 5,96 |
| HP | 0 | 0,1 | 0,4 | 0,8 | 1,1 | 1,5 | 1,5 | 1,5 | 1,5 | 1,5 |

| | Locked Rotor | Pull-Up | Breakdown | Rated Load | Idle | Duty | S. F. | Ambient | Elevation | dBa @ 1M |
|-----------------|--------------|---------|-----------|------------|------|---|-------|---------|-----------|----------|
| Speed (RPM) | 0,0 | 756 | 1440 | 1750 | 1800 | Continuous | 1,15 | 40°C | 3,300 ft | / |
| Current (Amps) | 20,0 | 17,0 | 11,9 | 2,2 | 1,5 | VFD Rating: Meets MG1 parts 31.4.4.2 | | | | |
| Torque (ft-lbs) | 11,3 | 9,6 | 14,9 | 4,5 | 0,0 | CT : | 10:1 | VT : | 20:1 | |

Motor Speed Data



Motor Torque Capability vs RPM



Date: 2024-01-26
 Customer: _____
 Contact: _____
 Submittee: J.C. Lavallée

Catalogue #: **MQSP-154RBNV**

Meets or exceeds MEPS, as described by the US DOE in docket 10CFR431 and NRCan's Amendment 14

| HP | VAC | RPM | Enclosure | Frame | Frequency | Design | Poles | LR Code Letter | Insulation Class | Temp. Rise °C |
|-----|-----|------|-----------|-------|-----------|--------|-------|----------------|------------------|---------------|
| 1,5 | 460 | 1750 | TENV | 56C | 60 | B | 4 | K | F | 49,82 |

| Load % | 0% | 25% | 50% | 75% | 100% | 125% | 150% |
|-------------|------|--------|-------|--------|-------|--------|-------|
| Amps | 1,54 | 1,67 | 1,78 | 1,94 | 2,20 | 2,75 | 3,30 |
| Torq ft/lbs | 0 | 1,10 | 2,22 | 3,35 | 4,50 | 5,67 | 6,85 |
| RPM | 0 | 1787,5 | 1775 | 1762,5 | 1750 | 1737,5 | 1725 |
| Eff | 0 | 41,18 | 66,49 | 81,21 | 86,50 | 84,58 | 82,16 |
| PF | 0 | 51,0 | 59,2 | 67 | 74,0 | 75,5 | 77,7 |

| | Locked Rotor | Pull-Up | Breakdown | Rated Load | Idle | Duty | S. F. | Ambient | Elevation | dBA @ 1M |
|-----------------|--------------|---------|-----------|------------|------|---|-------|---------|-----------|----------|
| Speed (RPM) | 0 | 756 | 1440 | 1750 | 1800 | Continuous | 1,15 | 40°C | 3,300 ft | / |
| Current (Amps) | 20 | 17,0 | 11,9 | 2,2 | 1,54 | VFD Rating: Meets MG1 parts 31.4.4.2 | | | | |
| Torque (ft-lbs) | 11,25 | 9,57 | 14,86 | 4,50 | 0,0 | CT | 10:1 | VT | 20:1 | |

